

Reference Manual

BRD4502B (Rev. B00)



The EZR32LG family of Wireless MCUs deliver a high performance, low energy wireless solution integrated into a small form factor package. By combining a high performance sub-GHz RF transceiver with an energy efficient 32-bit MCU, the family provides designers the ultimate in flexibility with a family of pin-compatible devices that scale from 64/128/256 kB of flash and support Silicon Labs EZRadio or EZRadioPRO transceivers. The ultra-low power operating modes and fast wake-up times of the Silicon Labs energy friendly 32-bit MCUs, combined with the low transmit and receive power consumption of the sub-GHz radio, result in a solution optimized for battery powered applications.

To develop and/or evaluate the EZR32 Leopard Gecko the EZR32LG Radio Board can be connected to the Wireless Starter Kit Mainboard to get access to display, buttons and additional features from Expansion Boards.



RADIO BOARD FEATURES

- Wireless MCU: EZR32LG330F256R55G
- CPU core: ARM Cortex-M3
- Flash memory: 256 kB
- RAM: 32 kB
- Sub-GHz transceiver integrated in the Wireless MCU: EZRadioPRO
- Operation frequency: 434 MHz
- Transmit power: 10 dBm
- Single antenna connector both for transmit and receive
- Crystals for LFXO and HFXO: 32.768kHz and 48 MHz.
- Crystal for RF: 30 MHz
- Backup Power Domain Capacitor
- Full speed USB 2.0 (12 Mbps)

Table of Contents

1. Radio Board Connector Pin Associations.	1
2. EZR32LG330 System-on-Chip Summary	2
2.1 EZR32 Wireless MCU	2
2.2 EZRadio RF Transceiver	2
2.3 Communcation Between the MCU and the Radio	2
3. EZR32LG Radio Board block description	4
3.1 USB	4
3.2 RF Crystal Oscillator	4
3.3 LF Crystal Oscillator (LFXO)	4
3.4 HF Crystal Oscillator (HFXO).	4
3.5 Backup Power Domain Capacitor	4
3.6 RF Matching Network	5
3.7 SMA connector	5
3.8 Radio Board Connectors	5
4. RF section	6
4.1 Matching network.	6
5. Mechanical details	8
6. RF performance	9
6.1 Measurement setup	9
6.2 Conducted Power Measurements	9
6.3 Radiated Power Measurements	10
7. Document Revision History	12
8. Errata	13

1. Radio Board Connector Pin Associations

The board-to-board connector scheme allows access to all EZR32LG GPIO pins as well as the nRESET signal. The figure below shows the pin mapping on the connector to the radio pins, and their function on the Wireless Starter Kit Mainboard. For more information on the functions of the available pin functions, we refer you to the EZR32LG330 Datasheet.

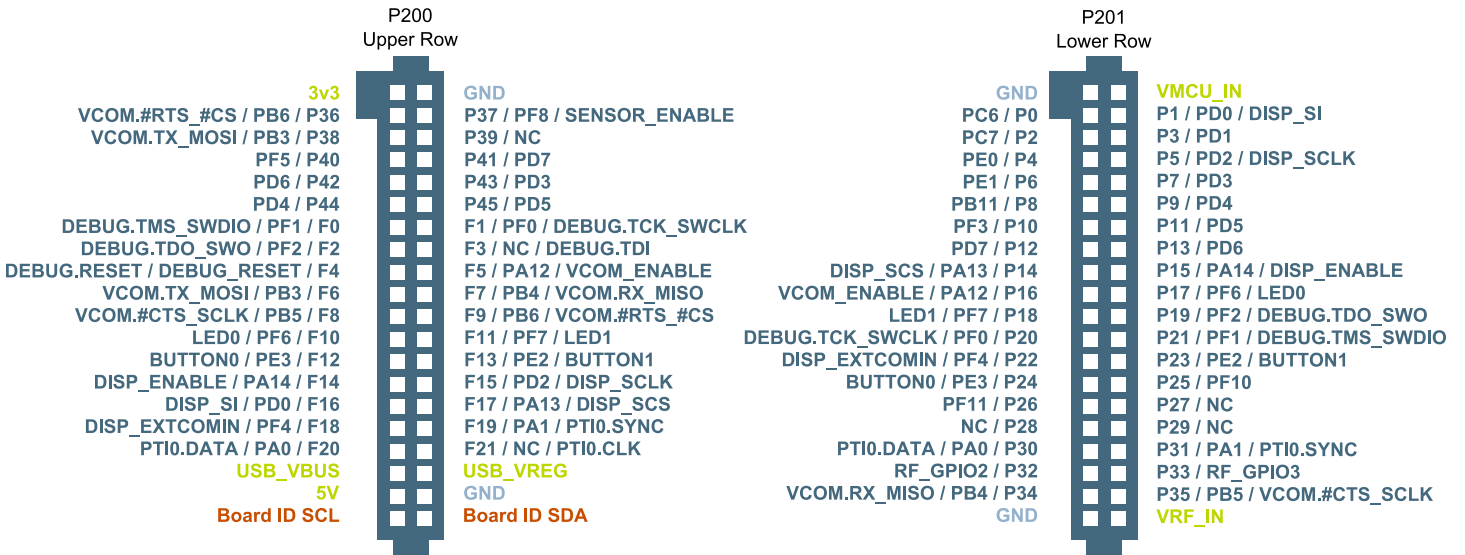


Figure 1.1. EZR32LG Radio Board Radio Board Connector pin mapping

2. EZR32LG330 System-on-Chip Summary

The EEZR32LG330 Wireless MCU is a single-chip solution that combines an Leopard Gecko family MCU solution with an integrated EZRadio or EZRadioPRO sub-GHz RF transceiver. These products are designed to address the specific requirements of low-power embedded systems requiring an RF bidirectional communication link.

The block diagram of the EZR32LG330 is shown in the figure below.

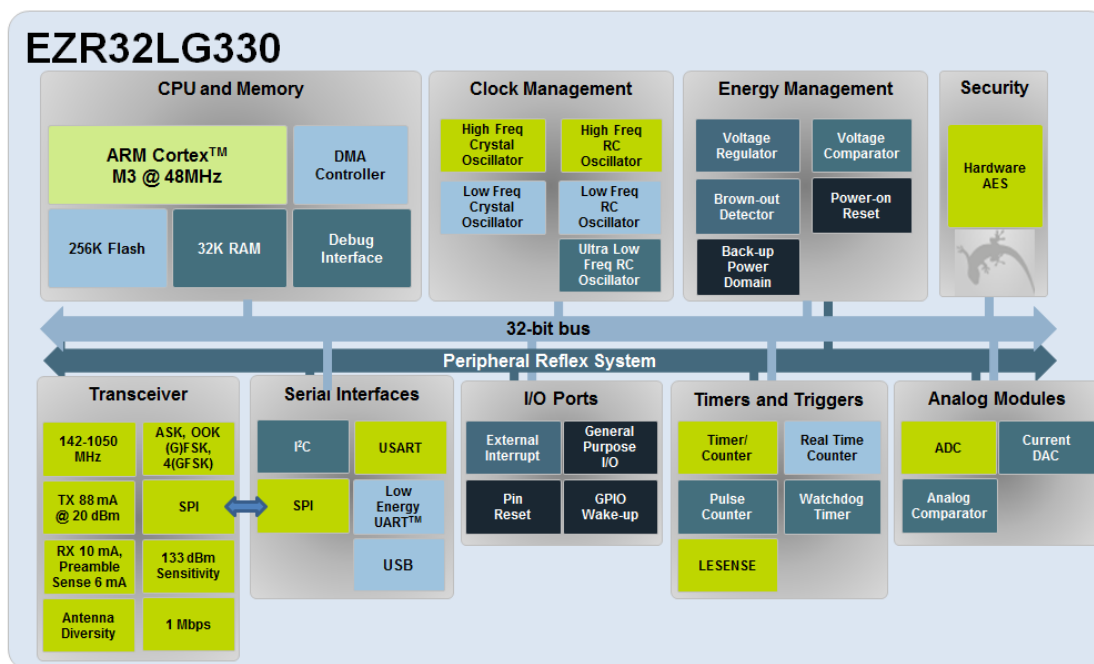


Figure 2.1. EZR32LG330 block diagram

For a complete feature set and in-depth information on the modules, the reader is referred to the EZR32LG330 Reference Manual

2.1 EZR32 Wireless MCU

The EZR32 Wireless MCU are the world's most energy friendly Wireless Microcontroller. With a unique combination of the powerful 32-bit ARM Cortex-M3, innovative low energy techniques, short wake-up time from energy saving modes, and a wide selection of peripherals, the EZR32 LG is well suited for any battery operated application as well as other systems requiring high performance and low-energy consumption.

2.2 EZRadio RF Transceiver

The EZR32LG family of devices is built using high-performance, low-current EZRadio and EZRadioPRO RF transceivers covering the sub-GHz frequency bands from 142 to 1050 MHz. These devices offer outstanding sensitivity of up to -133 dBm (using EZRadioPRO) while achieving extremely low active and standby current consumption. The EZR32LG devices using the transceiver offer frequency coverage in all major bands and include optimal phase noise, blocking, and selectivity performance for narrow band and licensed band applications, such as FCC Part 90 and 169 MHz wireless Mbus. The 69 dB adjacent channel selectivity with 12.5 kHz channel spacing ensures robust receive operation in harsh RF conditions, which is particularly important for narrow band operation. The active mode TX current consumption of 18 mA at +10 dBm and RX current of 10 mA coupled with extremely low standby current and fast wake times is optimized for extended battery life in the most demanding applications. The EZR32LG devices can achieve up to +27 dBm output power with built-in ramping control of a low-cost external FET. The devices can meet worldwide regulatory standards: FCC, ETSI, and ARIB. All devices are designed to be compliant with 802.15.4g and WMBus smart metering standards. The devices are highly flexible and can be programmed and configured via Simplicity Studio, available at www.silabs.com.

For a complete feature set and in-depth information on the modules, the reader is referred to the Data Sheet "Si4x55-C Easy-to-Use, Low-Current OOK/(G)FSK Sub-GHz Transceiver, Transmitter, and Receiver".

2.3 Communication Between the MCU and the Radio

Communication between the radio and MCU are done over USART, PRS and IRQ, which requires the pins to be configured in the following way:

Table 2.1. Radio MCU Communication Configuration

pin	Radio Assignment	pin function assignment
PE8	SDN	GPIO Output
PE9	nSEL	Bit-Banged SPI.CS (GPIO Output)
PE10	SDI	US0_TX #0
PE11	SDO	US0_RX #0
PE12	SCLK	US0_CLK #0
PE13	nIRQ	GPIO_EM4WU5 (GPIO Input with IRQ enabled)
PE14	GPIO1	PRS Input
PA15	GPIO0	PRS Input

3. EZR32LG Radio Board block description

The block diagram of the EZR32LG Radio Board is shown in the figure below.

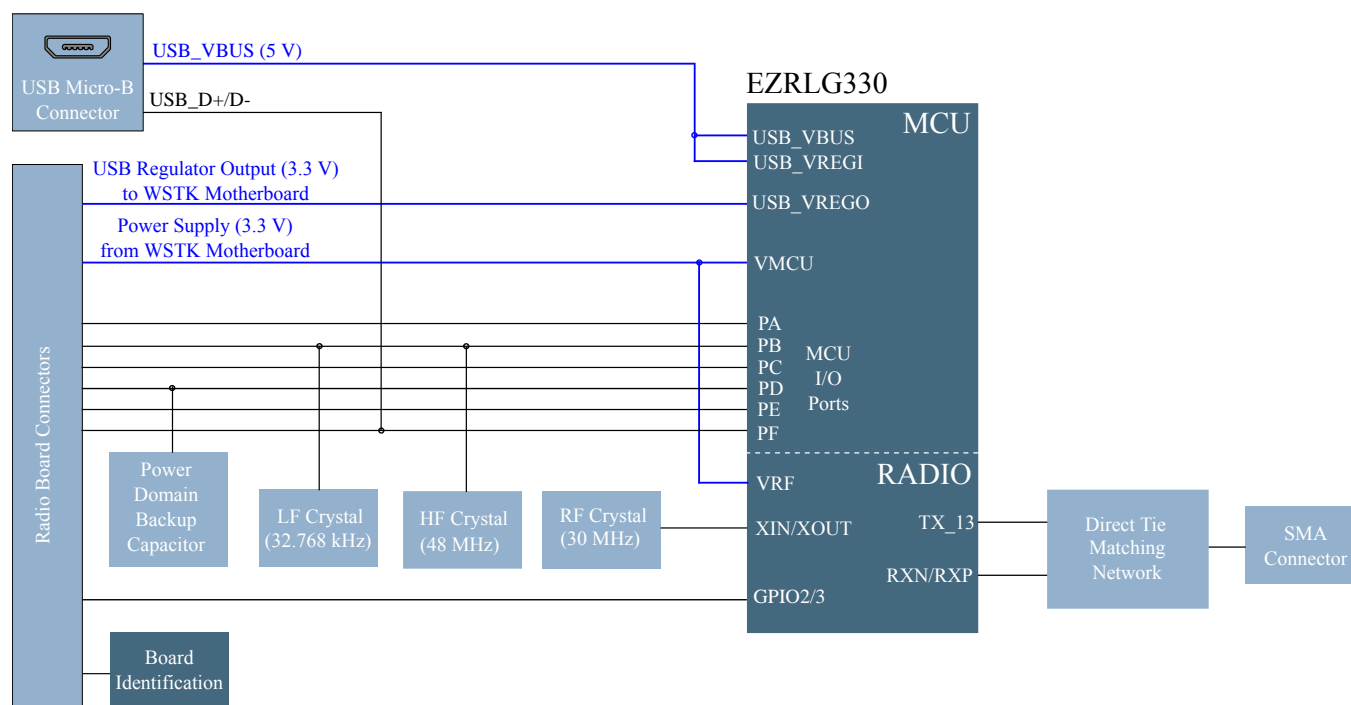


Figure 3.1. EZR32LG Radio Board block diagram

3.1 USB

The EZR32LG Radio Board incorporates a micro USB connector (P/N: ZX62-B-5PA(11)). The 3.3V USB regulator output is routed back to the WSTK through the Radio Board Connector so the Radio Board can supply power to the Wireless Starter Kit Mainboard.

For additional information on EZR32LG USB, refer to the EZR32LG330 Data Sheet.

3.2 RF Crystal Oscillator

The BRD4502B (Rev. B00) Radio Board has a 30 MHz crystal mounted (P/N: NX2016SA 30 MHz EXS00A-CS06568). For more details on crystal or TCXO selection for the RF part of the EZR32 devices refer to "AN785: Crystal Selection Guide for the Si4x6x RF ICs".

3.3 LF Crystal Oscillator (LFXO)

The BRD4502B (Rev. B00) Radio Board has a 32.768kHz crystal mounted (P/N: MS3V-T1R, 32768Hz, 12.5pF, +/- 20ppm). For safe startup two 22 pF capacitors are also connected to the LFX TAL_N and LFX TAL_H pins. For details regarding the crystal configuration, the reader is referred to Application Note "AN0016: EFM32 Oscillator Design Consideration".

3.4 HF Crystal Oscillator (HFXO)

The BRD4502B (Rev. B00) Radio Board has a 48 MHz crystal mounted (P/N: ABM11-48.000MHZ-D2X-T3). For safe startup two 10 pF capacitors are also connected to the HFX TAL_N and HFX TAL_H pins. For details regarding the crystal configuration, the reader is referred to Application Note "AN0016: EFM32 Oscillator Design Consideration".

3.5 Backup Power Domain Capacitor

The BRD4502B (Rev. B00) Radio Board has a 30 mF super capacitor mounted (P/N: PAS311HR-VA6R), connected to the PD8 port of the EZR32LG.

For details regarding the Backup Power Domain, the reader is referred to the EZR32LG330 Data Sheet.

3.6 RF Matching Network

The BRD4502B (Rev. B00) Radio Board includes a Class E type matching network with Direct Tie TX and RX sides are connected together without an additional RF switch, to be able to use one antenna both for transmitting and receiveing. The component values were optimized for the 434 MHz band RF performace and current consumption with 10 dBm output power.

For more details on the matching network used on the BRD4502B (Rev. B00) see Chapter [4.1 Matching network](#)

3.7 SMA connector

To be able to perform conducted measurements or mount external antenna for radiated measurements, range tests etc., Silicon Labs added an SMA connector (P/N: 5-1814832-1) to the Radio Board. The connector allows an external 50 Ohm cable or antenna to be connected during design verification or testing.

3.8 Radio Board Connectors

Two dual-row, 0.05" pitch polarized connectors (P/N: SFC-120-T2-L-D-A-K-TR) make up the EZR32LG Radio Board interface to the Wireless Starter Kit Mainboard.

For more information on the pin mapping between the EZR32LG330F256R55G and the Radio Board Connector refer to Chapter [1. Radio Board Connector Pin Associations](#).

4. RF section

The BRD4502B (Rev. B00) Radio Board includes a Class E type TX matching network with the targeted output power of 10 dBm at 434 MHz.

The main advantage of the Class E matching types is their very high efficiency. They are proposed for applications where the current consumption is most critical, e.g., the typical total EZRadio chip current with Class E type matching is ~17–19 mA at ~10 dBm and ~25 mA at ~13 dBm power levels (using the 13dBm PA output and assuming 3.3 V Vdd).

The main disadvantage of the Class E type matches is the high Vdd dependency (the power variation is proportional to the square of the Vdd change: i.e. the decrease in power can be ~6 dB in the 1.8–3.8 V range) and the inaccurate nonlinear power steps. Also their current consumption and the peak voltage on the TX pin are sensitive to the termination impedance variation, and they usually require slightly higher order filtering and thus higher bill of materials cost.

The matching network is constructed with a so-called Direct Tie configuration where the TX and RX sides are connected together without an additional RF switch, to be able to use one antenna both for transmitting and receiving. Careful design procedure was followed to ensure that the RX input circuitry does not load down the TX output path while in TX mode and that the TX output circuitry does not degrade receive performance while in RX mode.

For detailed explanation of the Class E type TX matching and the Direct Tie configuration matching procedure the reader is referred to "AN693: Si4455 Low-Power PA Matching". For detailed description of the RX matching the reader is referred to "AN643: Si446x/Si4362 RX LNA Matching".

4.1 Matching network

The matching network structure used on the BRD4502B (Rev. B00) Radio Board is shown in the figure below.

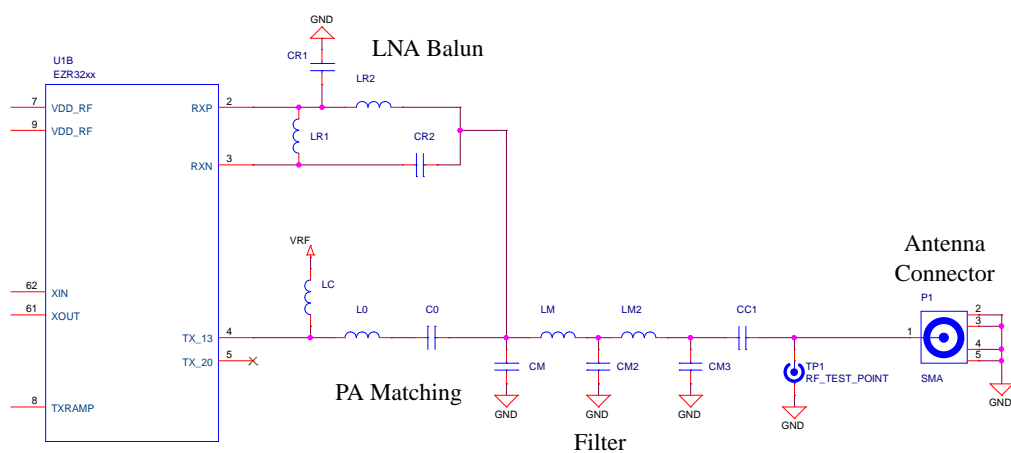


Figure 4.1. RF section of the schematic of the EZR32 Leopard Gecko Radio Board (BRD4502B (Rev. B00))

The matching network has a so-called Direct Tie configuration where the TX and RX sides are connected together, without an additional RF switch, to be able to use one antenna both for transmitting and receiving.

For detailed explanation of the TX matching process, see "AN693: Si4455 Low-Power PA Matching". Due to the Direct Tie configuration of the matching, the RX matching should also be taken into account during the TX matching procedure. The above Application Note contains component values and a shorter description for the RX matching as well. For detailed description of the RX matching refer to "AN643: Si446x/Si4362 RX LNA Matching".

The component values were optimized for the 434 MHz band RF performance and current consumption with 10 dBm output power. The resulting component values with part numbers are listed in the table below.

Table 4.1. Bill of Materials for the BRD4502B (Rev. B00) RF matching network

Component name	Value	Part Number
C0	20pF	GRM1555C1H200J
CM	5.6pF	GRM1555C1H5R6D
CM2	15pF	GRM1555C1H150J
CM3	8.2pF	GRM1555C1H8R2D
CR1	5.1pF	GRM1555C1H5R1D
CR2	2.7pF	GRM1555C1H2R7C
CC1	220pF	GRM1555C1H221J
L0	56 nH	0402HP-56NXJL
LC	220 nH	0402HPH-R22XJL
LM	18 nH	0402HP-18NXJL
LM2	18 nH	0402HP-18NXJL
LR1	56 nH	0402HP-56NXJL
LR2	56 nH	0402HP-56NXJL

The Application Note "AN693: Si4455 Low-Power PA Matching" contains component values for reference matching networks which were developed for the EZRadioPRO Pico Boards. For the WSTK radio boards some fine-tuning of the component values may be necessary due to different parasitic effects (bonding wire, layout etc.). For optimized RF performance the component values listed in the table above may differ from the ones listed in the referred Application Note.

For the reader's specific application and board layout the adjustment of the final matching values might be necessary. The above component values should be used as starting points and the values modified slightly to zero-in on the best filter response and impedance match to 50 ohm. To minimize the differences due to different layout parasitics Silicon Labs recommends copying the layout of the RF section of the radio board as is. If that is not possible, refer to "AN685: Layout Design Guide for the Si4455/435x RF ICS" for layout design recommendations.

5. Mechanical details

The EZR32 Leopard Gecko Radio Board (BRD4502B (Rev. B00)) is illustrated in the figures below.

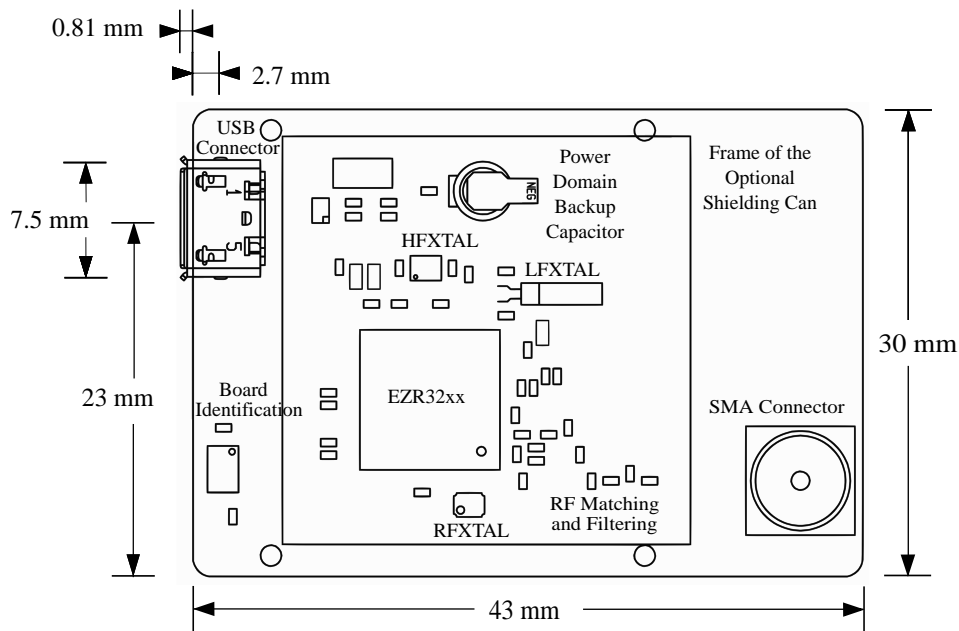


Figure 5.1. BRD4502B (Rev. B00) top view

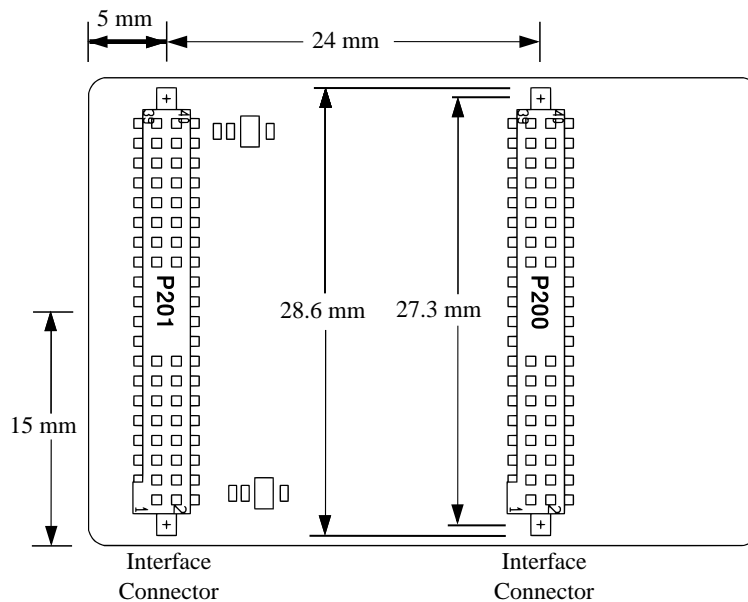


Figure 5.2. BRD4502B (Rev. B00) bottom view

6. RF performance

6.1 Measurement setup

The EZR32 Leopard Gecko Radio Board (BRD4502B (Rev. B00)) was attached to a Wireless Starter Kit Mainboard (BRD4001 (Rev. A02)) and its transceiver was operated in continuous carrier transmission mode. The output power of the radio was set to 10 dBm (DDAC = 20h).

6.2 Conducted Power Measurements

In case of the conducted measurements the output power was measured by connecting the EZR32LG Radio Board directly to a Spectrum Analyzer (P/N: MS2692A) through its on-board SMA connector. At 10 dBm output power and 3.3 V supply voltage the measured typical current consumption of the RF section of the board is 17.3 mA.

A typical output spectrum up to 10 GHz is shown in the figure below.

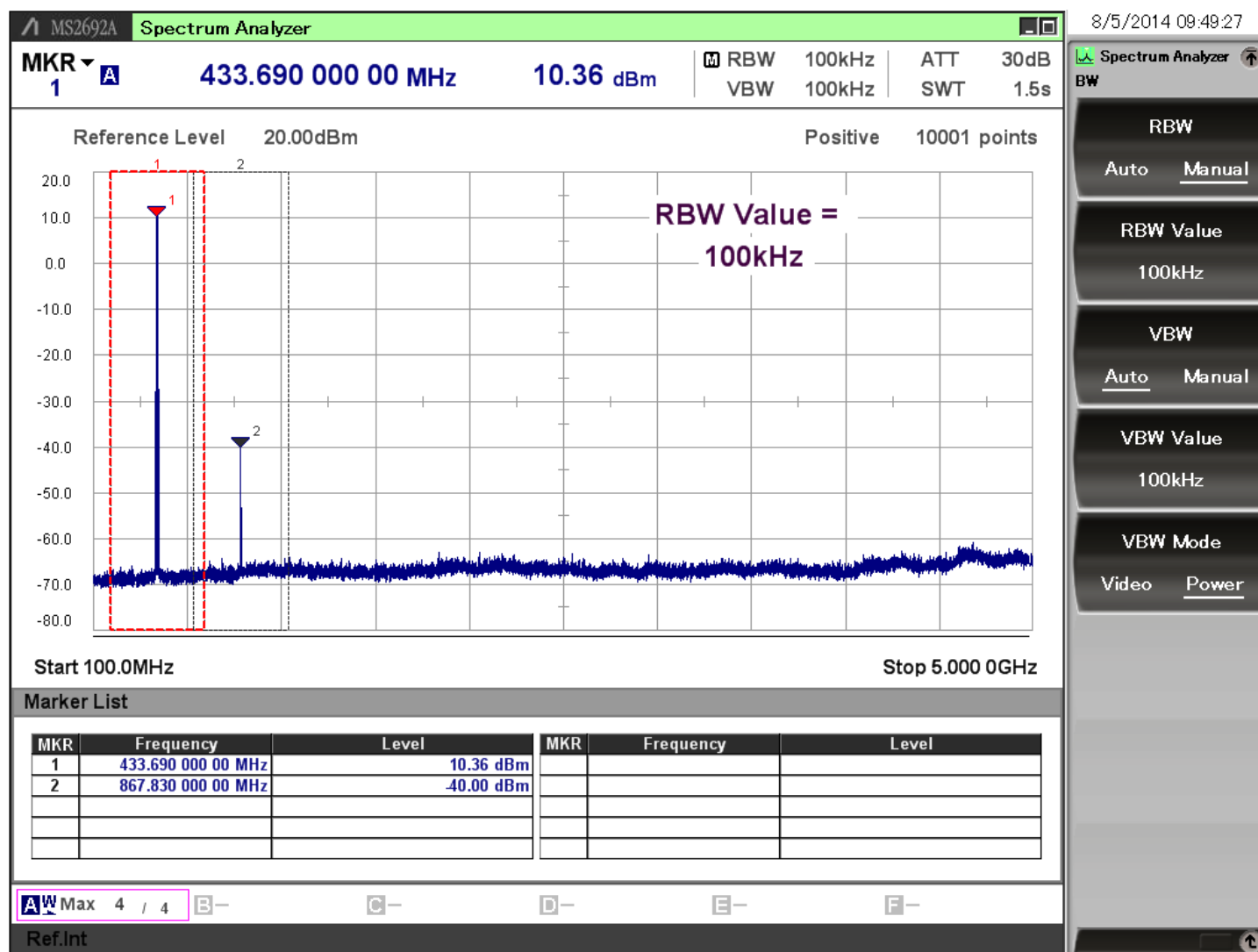


Figure 6.1. Typical output spectrum of the BRD4502B (Rev. B00) Radio Board; with DDAC=20h at Vdd=3.3 V

Note: In practice commercially available whip antennas usually have ~0-2 dB gain at the fundamental and < 0 dB gain at the harmonic frequencies so if the conducted levels are compliant with the emission limits with small margin it is likely that the margin on the harmonics radiated by an external whip antenna will be higher. Unfortunately in most cases, the PCB radiation (from traces or and/or components) is stronger so using shielding, applying larger duty cycle correction (if allowed) or reduction of the fundamental power could be necessary.

6.3 Radiated Power Measurements

For radiated measurements an external whip antenna (P/N: ANT-433-CW-QW-SMA) was used. The power supply for the board were two AA batteries (3 V). The batteries were connected to the Wireless Starter Kit Mainboard through its External Power Supply connector with minimal wire length to minimize the wire radiation.

The DUT was rotated in 360 degree with horizontal and vertical reference antenna polarizations in the XY, XZ and YZ cuts. The measurement axes are as shown in the figure below.



Figure 6.2. DUT: BRD4502B (Rev. B00) Radio Board with Wireless Starter Kit Mainboard

The measured radiated powers are shown in the table below.

Table 6.1. Results of the radiated power measurements

434 MHz	Measured maximums of the radiated power in EIRP [dBm]						ETSI limit in EIRP [dBm]
	XY		XZ		YZ		
	H	V	H	V	H	V	
Fundamental	+5.6	+9.8	+11.2	+2.0	+10.7	-3.0	+12.1
2nd harmonic	-61.9	-47.1	-51.2	-52.7	-50.3	-59.9	-33.9
3rd harmonic	-*	-*	-*	-*	-*	-*	-27.9
4th harmonic	-*	-*	-63.9	-*	-*	-*	-27.9
5th harmonic	-*	-59.4	-59.7	-62.3	-62.4	-*	-27.9
6th harmonic	-*	-*	-59.1	-*	-56.5	-60.1	-27.9
7th harmonic	-*	-55.8	-53.4	-57.9	-54.3	-59.9	-27.9

434 MHz	Measured maximums of the radiated power in EIRP [dBm]						ETSI limit in EIRP [dBm]
	XY		XZ		YZ		
	H	V	H	V	H	V	
8th harmonic	-56.1	-50.9	-56.1	-51.9	-53.4	-56.2	-27.9
9th harmonic	-*	-*	-56.7	-*	-*	-*	-27.9
10th harmonic	-*	-*	-*	-*	-*	-*	-27.9
Note: * Signal level is below the Spectrum Analyzer noise floor.							

One may notice that the radiated harmonic levels are higher compared to the levels expected based on the conducted measurement. Investigations showed that this increase is due to the PCB radiations (components and PCB traces).

Note: The radiated measurement results presented in this document were recorded in an unlicensed antenna chamber. Also the radiated power levels may change depending on the actual application (PCB size, used antenna etc.) therefore the absolute levels and margins of the final application is recommended to be verified in a licensed EMC testhouse!

7. Document Revision History

Table 7.1. Document Revision History

Revision Number	Effective Date	Change Description
1.10	19.03.2015	Radio Board errata added.
1.00	23.02.2015	Major content update.
0.10	04.02.2015	Initial document version.

8. Errata

Table 8.1. BRD4502B Radio Board Errata

Radio Board Revision	Problem	Description
B00	USB functionality broken.	In this revision USB_VREGI and USB_VREGO pins have been swapped. This means that USB does not work on this revision of the BRD4502B radio board. If you require USB functionality, please contact support for a replacement.
	Missing MCU peripherals	Due to EZR32LG330F256R55G chip errata, UART peripherals are not available. UART functionality on USART peripherals remain unaffected.



Simplicity Studio

One-click access to MCU tools, documentation, software, source code libraries & more. Available for Windows, Mac and Linux!

www.silabs.com/simplicity



MCU Portfolio
www.silabs.com/mcu



SW/HW
www.silabs.com/simplicity



Quality
www.silabs.com/quality



Support and Community
community.silabs.com

Disclaimer

Silicon Laboratories intends to provide customers with the latest, accurate, and in-depth documentation of all peripherals and modules available for system and software implementers using or intending to use the Silicon Laboratories products. Characterization data, available modules and peripherals, memory sizes and memory addresses refer to each specific device, and "Typical" parameters provided can and do vary in different applications. Application examples described herein are for illustrative purposes only. Silicon Laboratories reserves the right to make changes without further notice and limitation to product information, specifications, and descriptions herein, and does not give warranties as to the accuracy or completeness of the included information. Silicon Laboratories shall have no liability for the consequences of use of the information supplied herein. This document does not imply or express copyright licenses granted hereunder to design or fabricate any integrated circuits. The products must not be used within any Life Support System without the specific written consent of Silicon Laboratories. A "Life Support System" is any product or system intended to support or sustain life and/or health, which, if it fails, can be reasonably expected to result in significant personal injury or death. Silicon Laboratories products are generally not intended for military applications. Silicon Laboratories products shall under no circumstances be used in weapons of mass destruction including (but not limited to) nuclear, biological or chemical weapons, or missiles capable of delivering such weapons.

Trademark Information

Silicon Laboratories Inc., Silicon Laboratories, Silicon Labs, SiLabs and the Silicon Labs logo, CMEMS®, EFM, EFM32, EFR, Energy Micro, Energy Micro logo and combinations thereof, "the world's most energy friendly microcontrollers", Ember®, EZLink®, EZMac®, EZRadio®, EZRadioPRO®, DSPLL®, ISOmodem®, Precision32®, ProSLIC®, SiPHY®, USBXpress® and others are trademarks or registered trademarks of Silicon Laboratories Inc. ARM, CORTEX, Cortex-M3 and THUMB are trademarks or registered trademarks of ARM Holdings. Keil is a registered trademark of ARM Limited. All other products or brand names mentioned herein are trademarks of their respective holders.



SILICON LABS

Silicon Laboratories Inc.
400 West Cesar Chavez
Austin, TX 78701
USA

<http://www.silabs.com>