

Printmount Switch Short Stroke 12.7 mm



Description

- Switches are possible with different heights
- High-quality gold and silver contacts
- Solder terminals

Unique Selling Proposition

- Reliable tactile feedback on input
- Simple assembly
- Long life time

Weblinks

[html-datasheet](#), [General Product Information](#), [CE declaration of conformity](#), [RoHS](#), [CHINA-RoHS](#), [CAD-Drawings](#), [Product News](#), [Detailed request for product](#)

Technical Data

Electrical Data

Contact Material Silver

Switching Voltage	max. 48 VDC
Switching Current	max. 125 mA
Rated Switching Capacity	2.4 W
Lifetime	> 1 million actuations at Rated Switching Capacity
Contact Resistance	< 50 mΩ < 50 mΩ after lifetime
Insulation Resistance	> 100 MΩ
Duration of Bounce	typ. 0.1 ms

Contact Material Gold

Switching Voltage	max. 24 VDC
Switching Current	max. 50 mA
Rated Switching Capacity	0.48 W
Lifetime	> 1 million actuations at Rated Switching Capacity
Contact Resistance	< 50 mΩ < 50 mΩ after lifetime
Insulation Resistance	> 100 MΩ
Duration of Bounce	typ. 0.1 ms

Mechanical Data

Actuating Force	2.5 ± 0.5 N
Actuating Travel	0.45 ± 0.1 mm
End Stop Strength	> 50 N
Lifetime	> 1 million actuations

Climatical Data

Operating Temperature	-25 °C to 85 °C
Storage Temperature	-25 °C to 85 °C
IP-Protection	IP 40

Other Data

Contact Material	Ag / Au
------------------	---------

Soldering Data

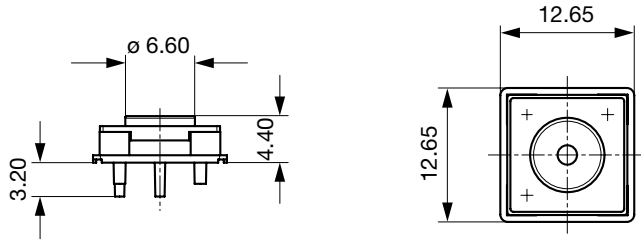
Solderability	235 °C / 2 sec (IEC 60068-2-20 Test Ta Method 1)
Resistance to Soldering Heat	260 °C / 5 sec (IEC 60068-2-20 Test Tb Method 1A)

Material

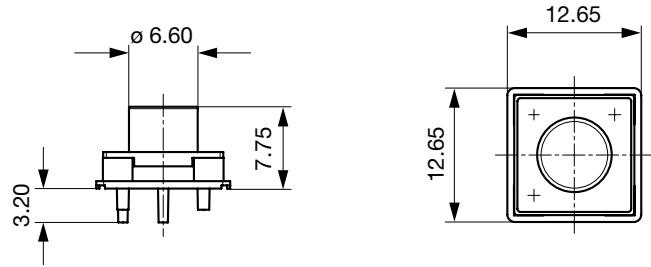
Sealing membrane IP 67	VMQ
Contact Material Gold	CuZn37 3µm Ni 2 µm Au
Contact Material Silver	CuZn37 2,5 µm Au passivated
Socket	Thermoplastic (PES)
Actuator	Thermoplastic (PC)

Detailed information on product approvals, code requirements, usage instructions and detailed test conditions can be looked up in [General Product Information](#)

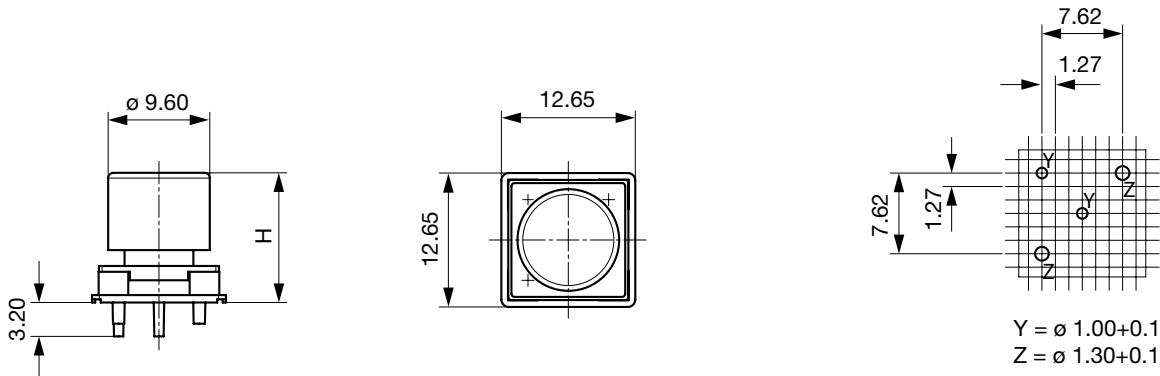
Dimension
Short actuator



Long actuator

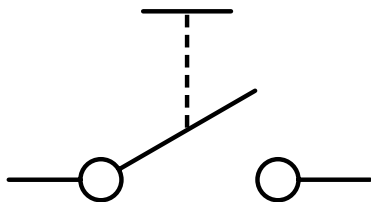


Height variable actuator



Drilling diagram

Diagrams



All Variants

Kontakte	Type	Overall height / Color	Overall height ¹⁾ / Color	Bestellnummer	
Au	Long actuator	-	-	1241.1022	■
Au	Height variable	10.75 mm / blue	-	1241.1032.4	■
Ag	Short actuator	-	-	1241.1052	■
Ag	Long actuator	-	-	1241.1072	■
Ag	Height variable	8.50 mm / yellow	-	1241.1082.1	■
Ag	Height variable	-	14.50 mm / yellow + black	1241.1082.11	
Ag	Height variable	9.25 mm / orange	-	1241.1082.2	■
Ag	Height variable	10.00 mm / red	-	1241.1082.3	■
Ag	Height variable	10.75 mm / blue	-	1241.1082.4	■
Ag	Height variable	-	16.75 mm / blue + black	1241.1082.41	
Ag	Height variable	11.50 mm / green	-	1241.1082.5	■
Ag	Height variable	13.75 mm / white	-	1241.1082.8	■

¹⁾ Starting with 14.50 mm the heights are achieved with an additional (second) cap of black color

■ Most Popular.

Availability for all products can be searched real-time:<http://www.schurter.com/en/Stock-Check/Stock-Check-SCHURTER>

Packaging unit 100 pcs