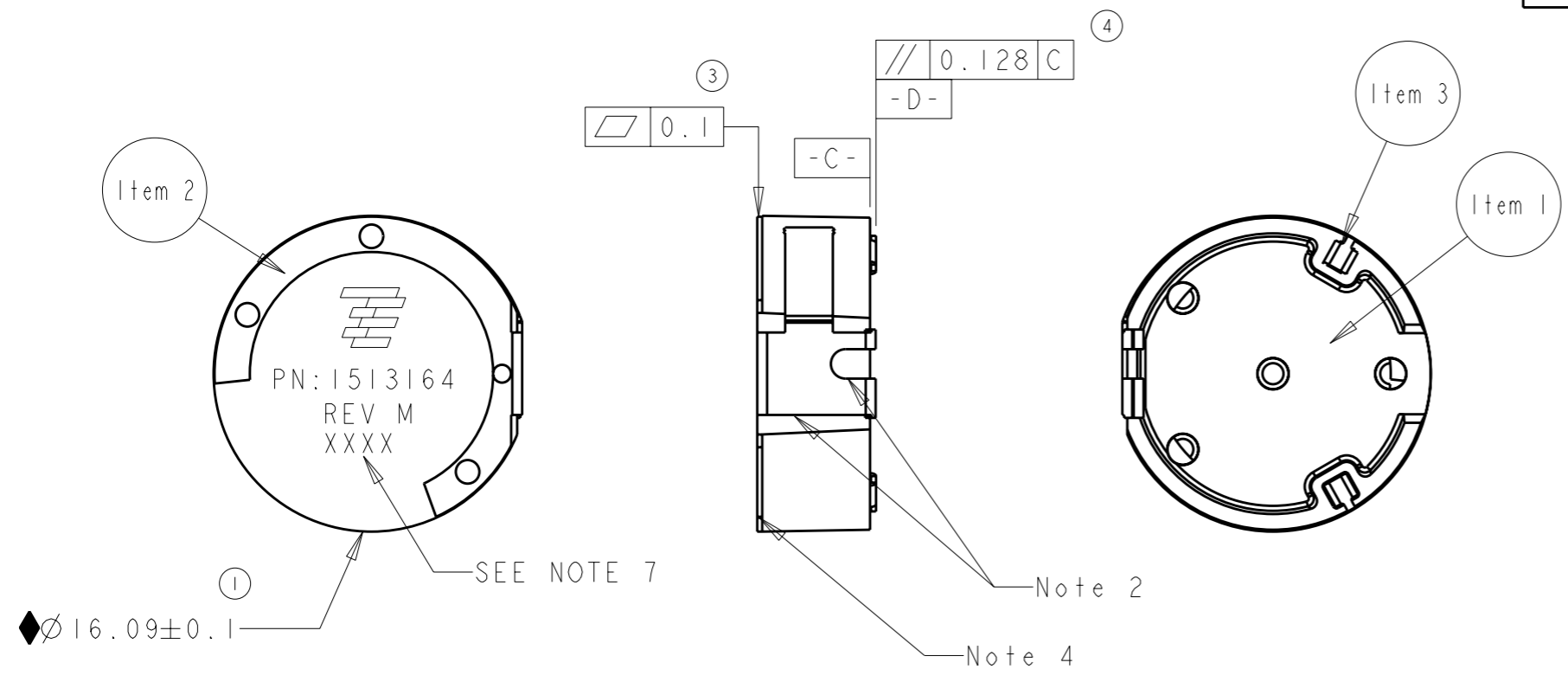


THIS DRAWING IS UNPUBLISHED. RELEASED FOR PUBLICATION 20
 © COPYRIGHT 20 BY - ALL RIGHTS RESERVED.

LOC	DIST	REVISIONS					
		P	LTR	DESCRIPTION	DATE	DWN	APVD
HQ	00		MI	REVISED PER ECO-11-005027	12MAR2011	RK	HMR



NOTES:

1. Material- Dupont Zenite 6130L BK010
2. General tolerance block applies unless otherwise specified.
3. Part is RoHS compliant per TE CONNECTIVITY standard TEC-138-702
4. Part will be identified with part number, rev letter, TE logo and 4 digit date code. 1st two digits for the year and the 2nd two digits for the week.
5. Consult TE CONNECTIVITY data sheet 1513164

◆ ONGOING STATISTICAL PROCESS CONTROL REQUIRED (TOTAL 2 PCS.)

1513164-1
 SCALE 2:1

THIS DRAWING IS A CONTROLLED DOCUMENT.		DWN MAH 29JAN2007	TE Connectivity	
DIMENSIONS: mm		CHK -		
TOLERANCES UNLESS OTHERWISE SPECIFIED:		APVD -	NAME 2.4/5 GHz Dual Band Antenna	
0 PLC ±0.10 1 PLC ±0.10 2 PLC ±0.05 3 PLC ±0.05 4 PLC ±0.01 ANGLES ±1°		PRODUCT SPEC -		
MATERIAL -	FINISH -	APPLICATION SPEC -	SIZE A3 CAGE CODE 00779 DRAWING NO C-1513164 RESTRICTED TO -	
		WEIGHT -	SCALE 3:1 SHEET 1 OF 1 REV MI	
		CUSTOMER DRAWING		