

# VSC7418

## 11-Port Layer-2 SGMII Gigabit Ethernet Switch with MPLS/MPLS-TP Support and VeriTime™

Microsemi's next-generation switch family delivers a comprehensive, end-to-end Carrier Ethernet solution.

VSC7418 contains nine 10/100/1000 Mbps SGMII/SerDes ports and two 2.5G SGMII/SerDes ports. The VSC7418 device provides a rich set of Carrier Ethernet switching features such as MPLS/MPLS-TP, MEF Ethernet services, hierarchical QoS scheduling, provider bridging, protection switching, OAM, and Synchronous Ethernet.

For critical network timing applications, VSC7418 uses VeriTime™, Microsemi's patent-pending distributed timing technology that delivers the industry's most accurate IEEE 1588v2 timing implementation.

VSC7418 supports advanced TCAM-based service SLA guarantees. Security is assured through frame processing using a TCAM-based Versatile Content Aware Processor (VCAP).

An embedded 416 MHz MIPS processor 32-bit CPU with DDR2/DDR3 external memory and DMA-based frame extraction and insertion supports VeriTime™ as well as injection of advanced data flows for service activation measurement (SAM) testing.

VSC7418 is an excellent choice for Mobile backhaul and for service provider demarcation points in Edge and Access devices.

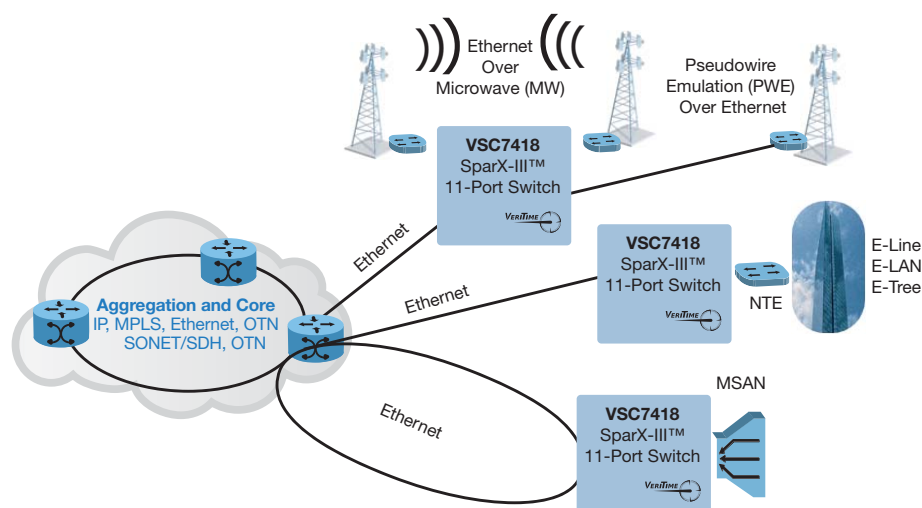
A comprehensive application programming interface (API) and software package are provided for Carrier Ethernet applications. The software package integrates easily with third-party software, preserving existing software investments while adding new, enhanced carrier functionality.

### Highlights

- Ethernet, MPLS, and MPLS-TP
- MEF UNI and NNI functionality
- Hardware-based Ethernet OAM, performance monitoring, and service activation measurement (SAM)
- Network demarcation
- Hierarchical QoS priority for queuing and subscriber separation
- Service protection (linear, ring)
- Integrated timing: VeriTime™, SyncE

### Applications

- Wireless and mobile backhaul (ODU/IDU)
- Ethernet/MPLS demarcation



# VSC7418

## 11-Port Layer-2 SGMII Gigabit Ethernet Switch with MPLS/MPLS-TP Support and VeriTime™

### Architecture

- Integrated shared packet memory
- Fully nonblocking wire-speed switching performance for all frame sizes
- 8 QoS classes with thousands of queues that can be assigned to ports, QoS classes, and services
- OAM and performance monitoring (IEEE 802.1ag ITU-T Y.1731, ITU-T Y.1564)
- Protection switching (ITU-T G.8031, ITU-T G.8032)
- Advanced security and prioritization available through a multi-stage TCAM engine

### Layer 2 Switching

- IEEE 802.1Q VLAN switch with 8K MACs and 4K VLANs
- Push/pop up to two VLAN tags
- IPv4/IPv6 multicast
- Policing with storm control and MC/BC protection
- RSTP and MSTP support
- Hardware and software-based learning
- Link aggregation (IEEE 802.3ad)
- Independent and shared VLAN learning (IVL, SVL)
- Jumbo frame support

### Carrier Ethernet Features

- Provider Bridging (PB)
- MPLS and MPLS-TP

- MEF E-Lane, E-Line, and E-Tree services
- Dual leaky bucket policers with remarking and statistics
- OAM and protection switching
- L1 Synchronous Ethernet
- Enhanced Carrier Ethernet API

### VeriTime™ Features

- L2 IEEE 1588v2
- Boundary clock and transparent clock

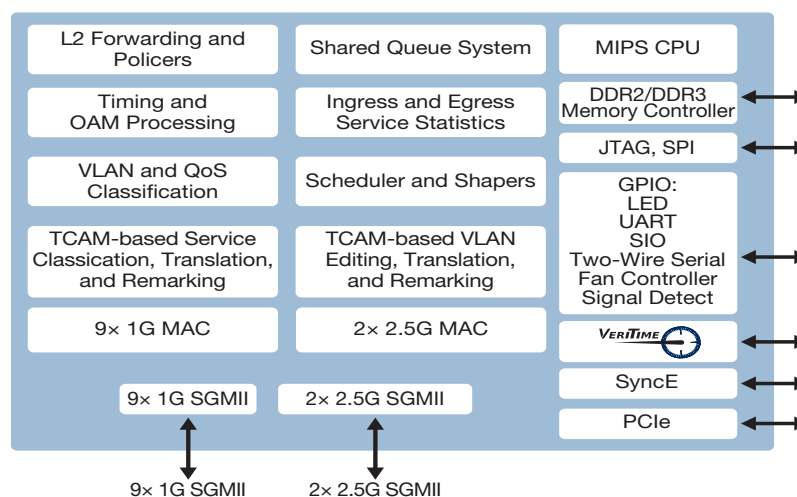
### Key Specifications

- 24 mm × 24 mm thermally enhanced TQFP package
- 1.6 W typical power dissipation
- Operating temperature –40 °C to 125 °C

### Related Products

Visit [www.microsemi.com](http://www.microsemi.com) for information about these related products:

- VSC7460/VSC7462 24/12-Port Gigabit Ethernet Carrier Ethernet Switch with VeriTime™
- VSC7428 11-Port Layer 2 Gigabit Ethernet Switch with 8 Integrated Copper PHYs and Embedded CPU with VeriTime™



**Microsemi Corporate Headquarters**  
 One Enterprise, Aliso Viejo, CA 92656 USA  
 Within the USA: +1 (800) 713-4113  
 Outside the USA: +1 (949) 380-6100  
 Sales: +1 (949) 380-6136  
 Fax: +1 (949) 215-4996  
 email: [sales.support@microsemi.com](mailto:sales.support@microsemi.com)  
[www.microsemi.com](http://www.microsemi.com)

Microsemi Corporation (Nasdaq: MSCC) offers a comprehensive portfolio of semiconductor and system solutions for communications, defense and security, aerospace, and industrial markets. Products include high-performance and radiation-hardened analog mixed-signal integrated circuits, FPGAs, SoCs, and ASICs; power management products; timing and synchronization devices and precise time solutions; voice processing devices; RF solutions; discrete components; enterprise storage and communications solutions, security technologies, and scalable anti-tamper products; Ethernet solutions; Power-over-Ethernet ICs and midspans; custom design capabilities and services. Microsemi is headquartered in Aliso Viejo, California, and has approximately 4,800 employees worldwide. Learn more at [www.microsemi.com](http://www.microsemi.com).