

PQ200WNA1ZPH

Compact Surface Mount type
Low Power-Loss Voltage Regulators

■ Features

1. Output current : 1A
2. High isolation voltage V_{IN} : MAX. 24 V
3. Low dissipation current
(Dissipation current at no load: MAX. 8mA
Output OFF-state dissipation current: MAX. 5 μ A)
4. Built-in ON/OFF function
5. Built-in overcurrent and overheat protection functions
6. Built-in ASO protection function
7. Ceramic capacitor compatible
8. RoHS directive compliant

■ Applications

1. AV equipment
2. OA equipment

■ Absolute Maximum Ratings

($T_a=25^\circ\text{C}$)

Parameter	Symbol	Rating	Unit
*1 Input voltage	V_{IN}	24	V
*1 Output control voltage	V_C	24	V
*1 Output adjustment pin voltage	V_{adj}	5	V
Output current	I_O	1	A
*2 Power dissipation	P_D	8	W
*3 Junction temperature	T_j	150	$^\circ\text{C}$
Operating temperature	T_{opr}	-40 to +85	$^\circ\text{C}$
Storage temperature	T_{stg}	-40 to +150	$^\circ\text{C}$
Soldering temperature	T_{sol}	260(10s)	$^\circ\text{C}$

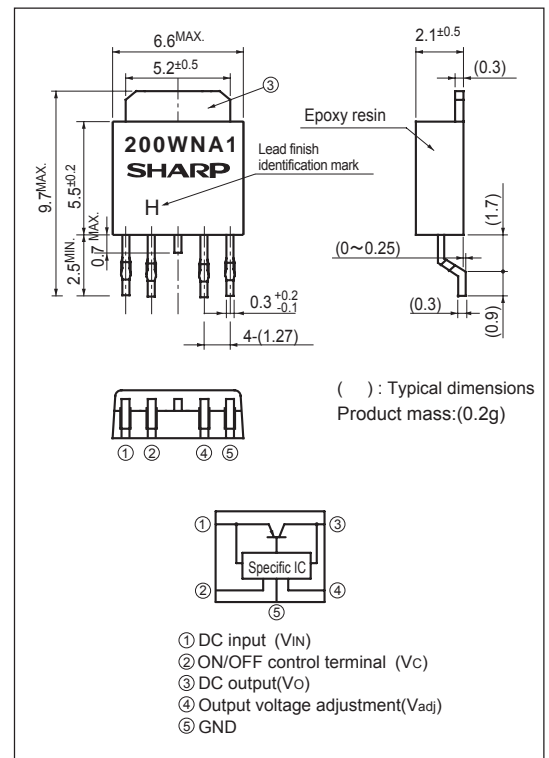
*1 All are open except GND and applicable terminals.

*2 P_D : With infinite heat sink

*3 There is case that over heat protection function operates at the temperature T_j : 125 $^\circ\text{C}$ to 150 $^\circ\text{C}$, this item cannot be used in this temperature range.

■ Outline Dimensions

(Unit : mm)



Lead finish: Lead-free solder plating
(Composition: Sn2Cu)

Notice The content of data sheet is subject to change without prior notice.

In the absence of confirmation by device specification sheets, SHARP takes no responsibility for any defects that may occur in equipment using any SHARP devices shown in catalogs, data books, etc. Contact SHARP in order to obtain the latest device specification sheets before using any SHARP device.

Electrical Characteristics

(Unless otherwise specified, condition shall be $V_{IN}=5V, V_O=3.3V(R_1=2k\Omega), I_O=0.5A, V_C=2.7V, T_a=25^\circ C$)

Parameter	Symbol	Conditions	MIN.	TYP.	MAX.	Unit
Input voltage	V_{IN}	-	3.5	-	24	V
Output voltage	V_O	-	3.0	-	20	V
Load regulation	Reg_L	$I_O=5mA$ to 1A	-	-	1.0	%
Line regulation	Reg_I	$V_{IN}=4$ to 10V, $I_O=5mA$	-	-	1.0	%
Ripple rejection	RR	Refer to Fig.3	-	60	-	dB
Dropout voltage	V_{I-O}	$V_{IN}=3.5V$	-	-	0.5	V
Reference voltage	V_{REF}	-	2.583	2.65	2.717	V
Temperature coefficient of reference voltage	TcV_{REF}	$T_j=0$ to $+125^\circ C, I_O=5mA$	-	± 1.0	-	%
ON-state voltage for control	$V_{C(ON)}$	*4	2.0	-	-	V
ON-state current for control	$I_{C(ON)}$	-	-	-	200	μA
OFF-state voltage for control	$V_{C(OFF)}$	$I_O=0A$	-	-	0.8	V
OFF-state current for control	$I_{C(OFF)}$	$I_O=0A, V_C=0.4V$	-	-	2	μA
Quiescent current	I_q	$I_O=0A$	-	-	8	mA
Output OFF-state dissipation current	I_{qs}	$V_C=0.4V$	-	-	5	μA

*4 In case of opening control terminal ②, output voltage turns off

Fig.1 Test Circuit

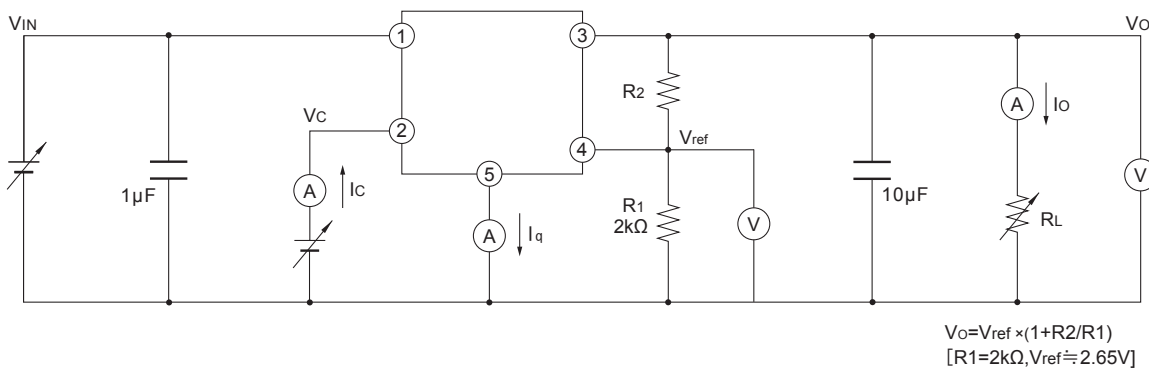


Fig.2 Test Circuit for Ripple Rejection

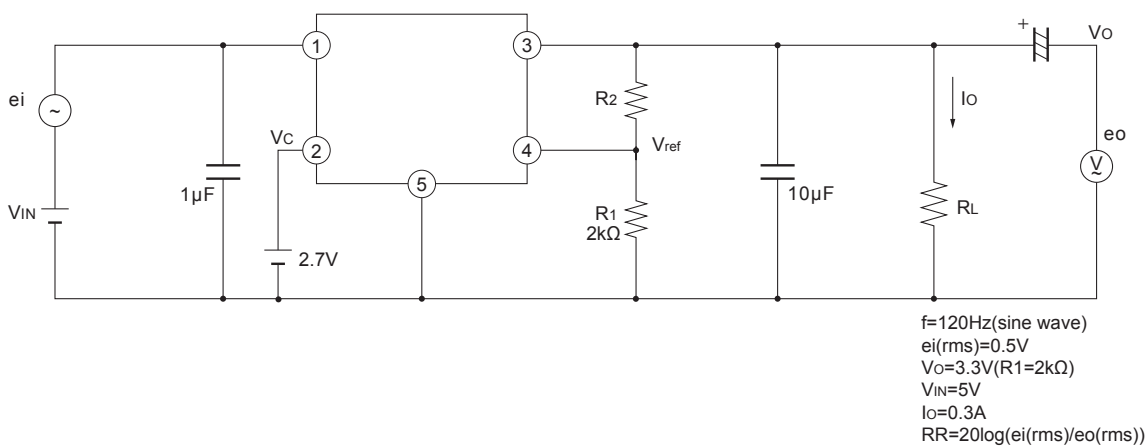
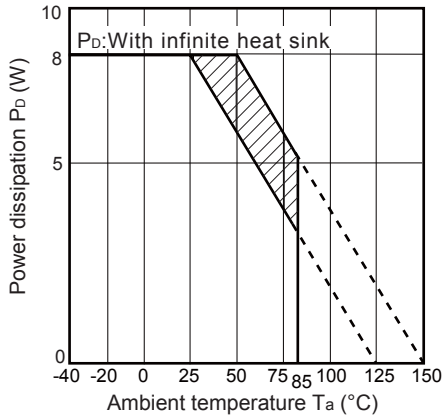


Fig.3 Power Dissipation vs. Ambient Temperature



Note) Oblique line portion: Overheat protection may operate in this area.

Fig.4 Overcurrent Protection Characteristics

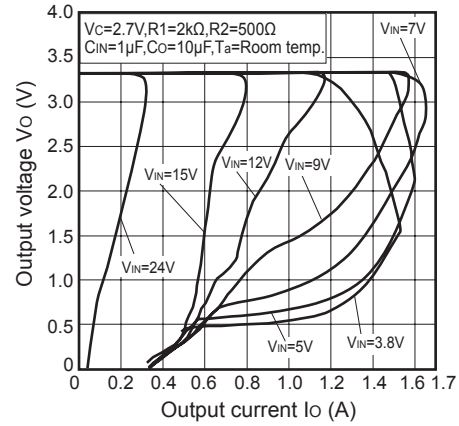


Fig.5 Reference Voltage vs. Ambient Temperature

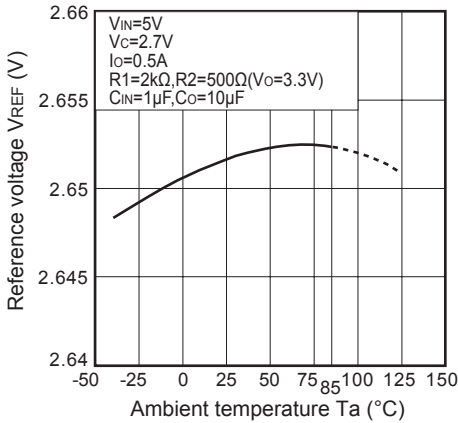


Fig.6 Circuit Operating Current vs. Input Voltage

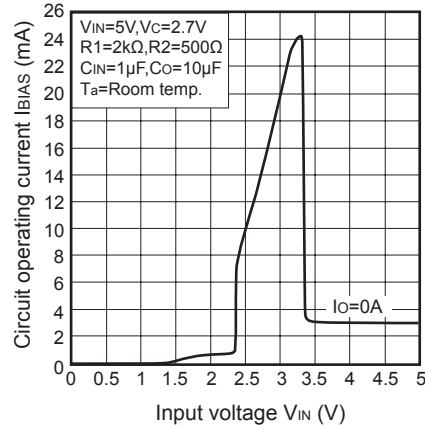


Fig.7 Output Voltage vs. Input Voltage

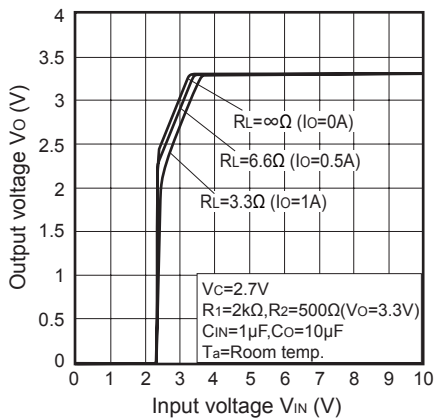


Fig.8 Quiescent Current vs. Ambient Temperature

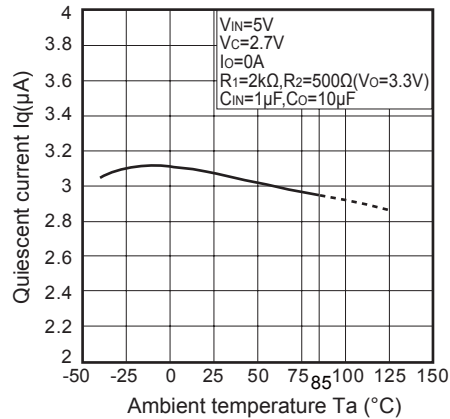


Fig.9 Dropout Voltage vs. Ambient Temperature

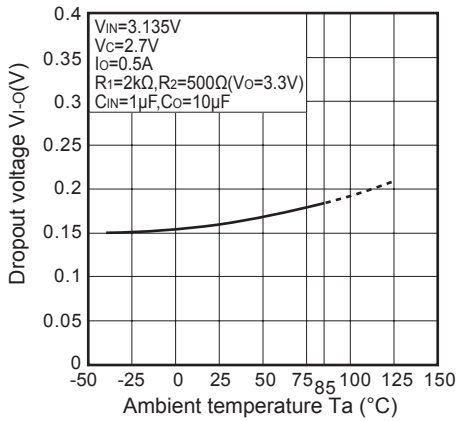


Fig.10 Ripple Rejection vs. Input Ripple Frequency

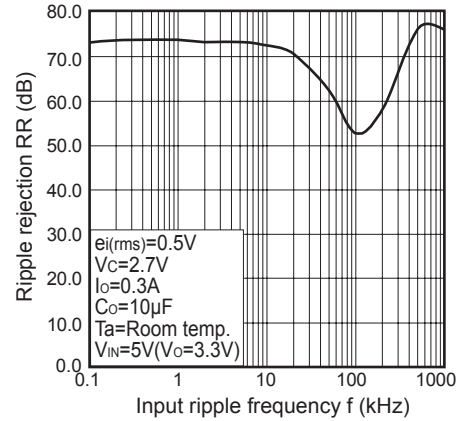


Fig.11 Ripple Rejection vs. Output Current

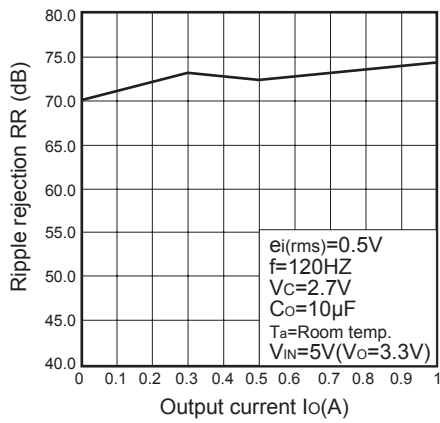


Fig.12 Typical Application

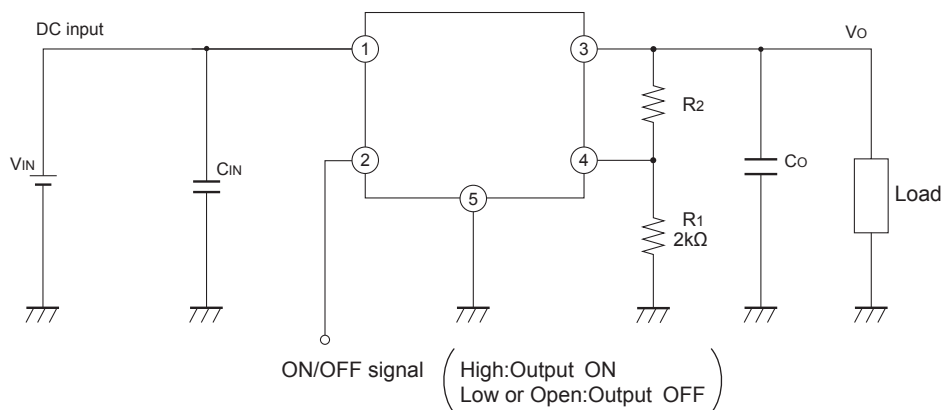
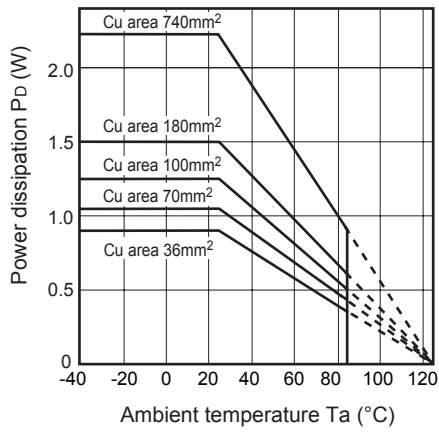
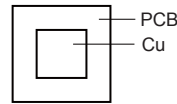


Fig.13 Dropout Voltage vs. Ambient Temperature

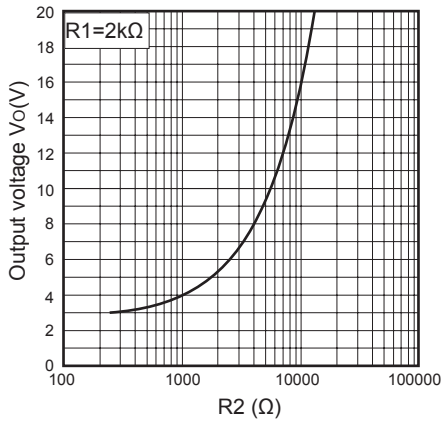


Mounting PCB



Material : Glass-cloth epoxy resin
 Size : 50×50×1.6mm
 Cu thickness : 35μm

Fig.14 Output Voltage Adjustment Characteristics (Typical Value)



■ Setting of Output Voltage

Output voltage is able to set (3V to 20V) when resistors R₁, R₂ are attached to ③,④,⑤ terminals. As for the external resistors to set output voltage, refer to the following figure and Fig.14.

