

## NCS37005 External Component Selection Guide

This application note assists in the selection of the external components and current transformer for the NCS37005 GFCI integrated circuit. A typical application for a GFCI is shown in Figure 1. Please see the corresponding datasheet for specific information on the functional behavior of the NCS37005.



**ON Semiconductor®**

<http://onsemi.com>

### APPLICATION NOTE

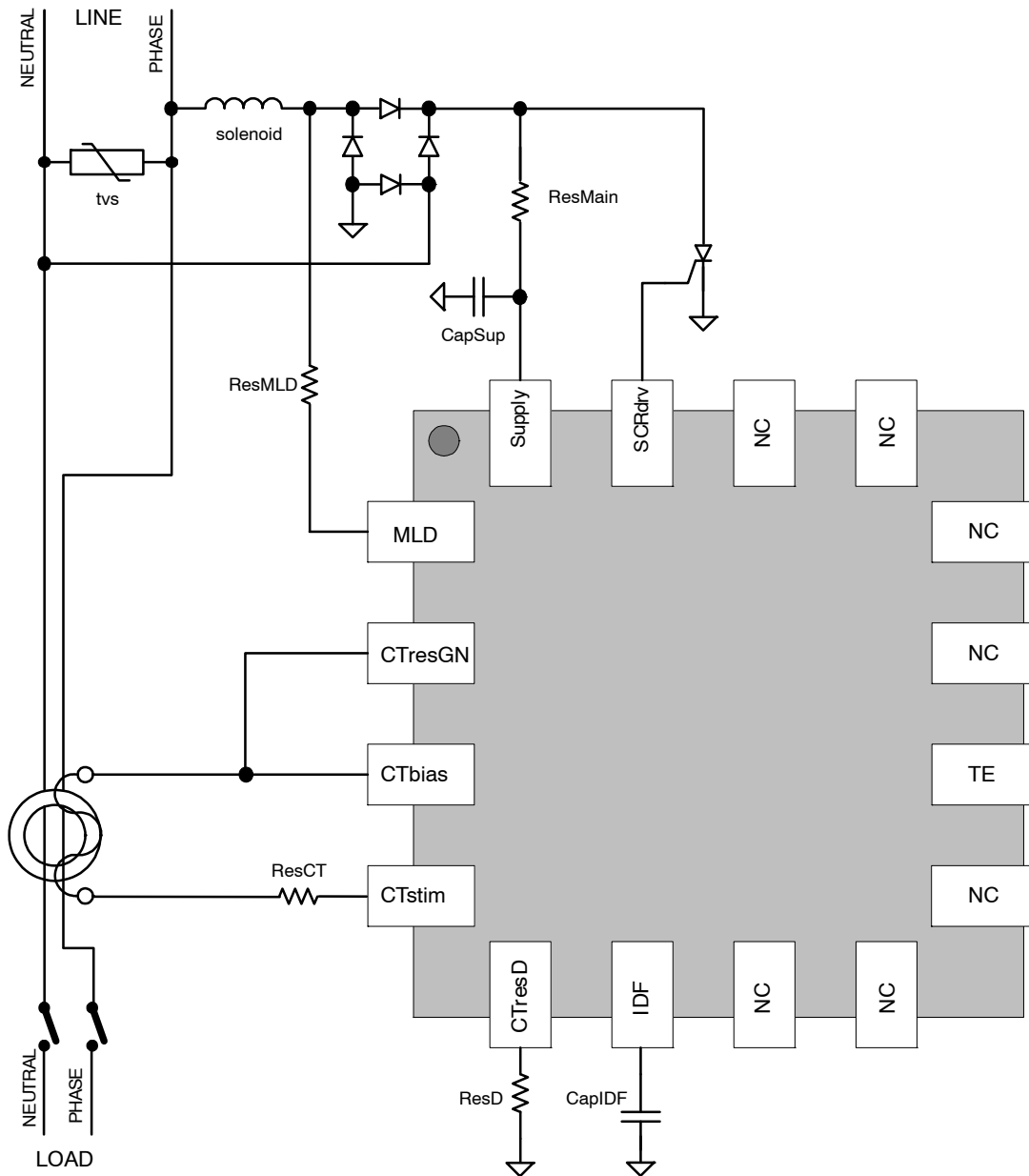


Figure 1. NCS37005 Application Diagram

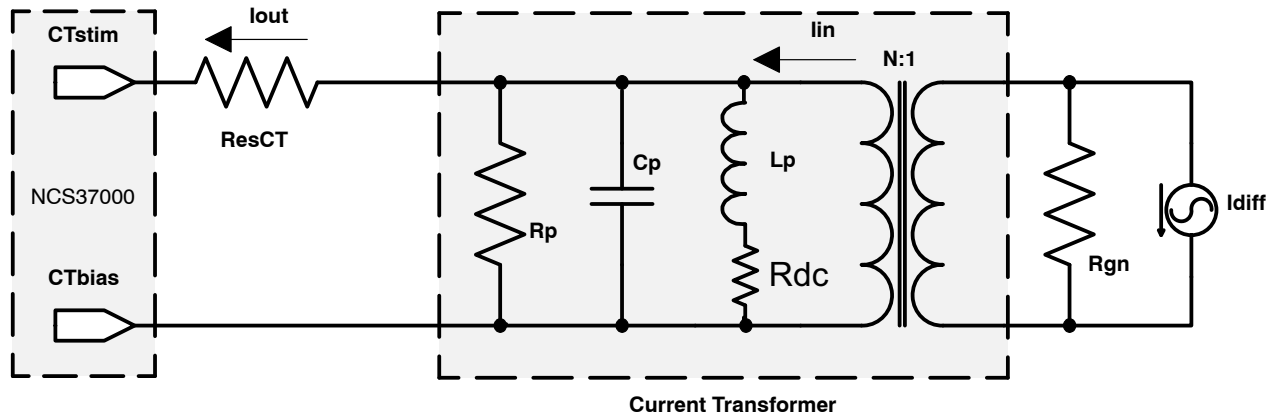


Figure 2. Current Transformer Model

**Current Transformer**

The current transformer and the corresponding parasitics are shown in Figure 2. Typically the core material is made of either ferrite or nano-crystalline material. The transformer requires a permeability ( $\mu$ ) greater than 10,000. N is the number of turns on the secondary side of the transformer and should be between 200 and 300.

$L_p$  is the parallel inductance on the secondary side of the transformer and is defined by the following equation:

$$L_p = \frac{\mu N^2 A}{2\pi r}$$

Where A is equal to the cross sectional area of the transformer and r is the radius to the center line of the toroid.

$R_p$  is the core loss of the current transformer and for the NCS37005 and typically is large enough that it does not affect performance of the differential detection.  $C_p$  is the parallel inter-winding capacitance that is dependent on the gauge of the wire and can be neglected if CapCT is used. Typically this value is very small and can be neglected.

$R_{dc}$  is the resistance of the windings at the secondary and is very dependent on the gauge of the wire. An LRC meter is an effective tool to measure many of these current transformer parameters. These values should be measured at 60 Hz.

A key performance parameter of the current transformer is load shift which is the change in the differential trip level when a load is present on the primary side of the current transformer. Load shift is very dependent on the routing of the conductors through the primary opening. Optimal performance is achieved when these conductors have a linear path through the core center. Bends in the primary conductors (phase and neutral) should be avoided. If mechanical limitations require bends in the immediate vicinity of the current transformer then care should be taken to ensure that the routing creates balanced boundary conditions for the current transformer. Care should be taken to ensure that the winding on the secondary should be uniform and balanced around the toroid. Silicon steel washers can be placed on the top and bottom of the CT to improve load shift performance.

**ResD and ResCT**

The values of ResD, ResCT set the differential trip level of the GFCI. For ideal operation and to minimize current offset from the CT, the combination of ResCT and  $R_{DC}$  should be greater than 25  $\Omega$ .

$$ResCT + R_{DC} > 25 \Omega$$

The differential trip level ( $I_{diff}$ ) is typically set to 5 mA and is controlled by the following equation:

$$ResD = \frac{2N(R_{DC} + ResCT + 2\pi f_{AC} L_p)}{I_{diff}(R_{DC} + 2\pi f_{AC} L_p)}$$

$f_{AC}$  is the frequency of the AC phase voltage which is usually 50/60 Hz.

**CapIDF**

The differential current low pass filter corner frequency is set by the following equation:

$$f_{idf} = \frac{1}{2\pi \cdot 1000 \cdot CapIDF}$$

The typical value for CapIDF is 180 nF to 470 nF.

**ResMLD**

ResMLD connects to the line-phase and also the MLD pin. It clamps the voltage on the MLD side to -1 V and +4 V. Allowable values are 200k to 1 M $\Omega$  and limit the current dissipated. An optional capacitor <1 nF can be added into to the MLD pin to ground for additional filtering.


**ResMAIN and CapSUP**

ResMAIN and CapSUP set the power up time and power dissipation of the GFCI. Power up time is set by the following equation:

$$t_{on} = 1.386 \cdot ResMain \cdot CapSup$$

and power dissipation is calculated with the following equation:

$$P_{max} = \frac{14400}{ResMain}$$

**ON Semiconductor** and  are registered trademarks of Semiconductor Components Industries, LLC (SCILLC). SCILLC reserves the right to make changes without further notice to any products herein. SCILLC makes no warranty, representation or guarantee regarding the suitability of its products for any particular purpose, nor does SCILLC assume any liability arising out of the application or use of any product or circuit, and specifically disclaims any and all liability, including without limitation special, consequential or incidental damages. "Typical" parameters which may be provided in SCILLC data sheets and/or specifications can and do vary in different applications and actual performance may vary over time. All operating parameters, including "Typicals" must be validated for each customer application by customer's technical experts. SCILLC does not convey any license under its patent rights nor the rights of others. SCILLC products are not designed, intended, or authorized for use as components in systems intended for surgical implant into the body, or other applications intended to support or sustain life, or for any other application in which the failure of the SCILLC product could create a situation where personal injury or death may occur. Should Buyer purchase or use SCILLC products for any such unintended or unauthorized application, Buyer shall indemnify and hold SCILLC and its officers, employees, subsidiaries, affiliates, and distributors harmless against all claims, costs, damages, and expenses, and reasonable attorney fees arising out of, directly or indirectly, any claim of personal injury or death associated with such unintended or unauthorized use, even if such claim alleges that SCILLC was negligent regarding the design or manufacture of the part. SCILLC is an Equal Opportunity/Affirmative Action Employer. This literature is subject to all applicable copyright laws and is not for resale in any manner.

## PUBLICATION ORDERING INFORMATION

### LITERATURE FULFILLMENT:

Literature Distribution Center for ON Semiconductor  
P.O. Box 5163, Denver, Colorado 80217 USA  
**Phone:** 303-675-2175 or 800-344-3860 Toll Free USA/Canada  
**Fax:** 303-675-2176 or 800-344-3867 Toll Free USA/Canada  
**Email:** [orderlit@onsemi.com](mailto:orderlit@onsemi.com)

**N. American Technical Support:** 800-282-9855 Toll Free  
USA/Canada  
**Europe, Middle East and Africa Technical Support:**  
Phone: 421 33 790 2910  
**Japan Customer Focus Center**  
Phone: 81-3-5817-1050

**ON Semiconductor Website:** [www.onsemi.com](http://www.onsemi.com)  
**Order Literature:** <http://www.onsemi.com/orderlit>  
For additional information, please contact your local  
Sales Representative